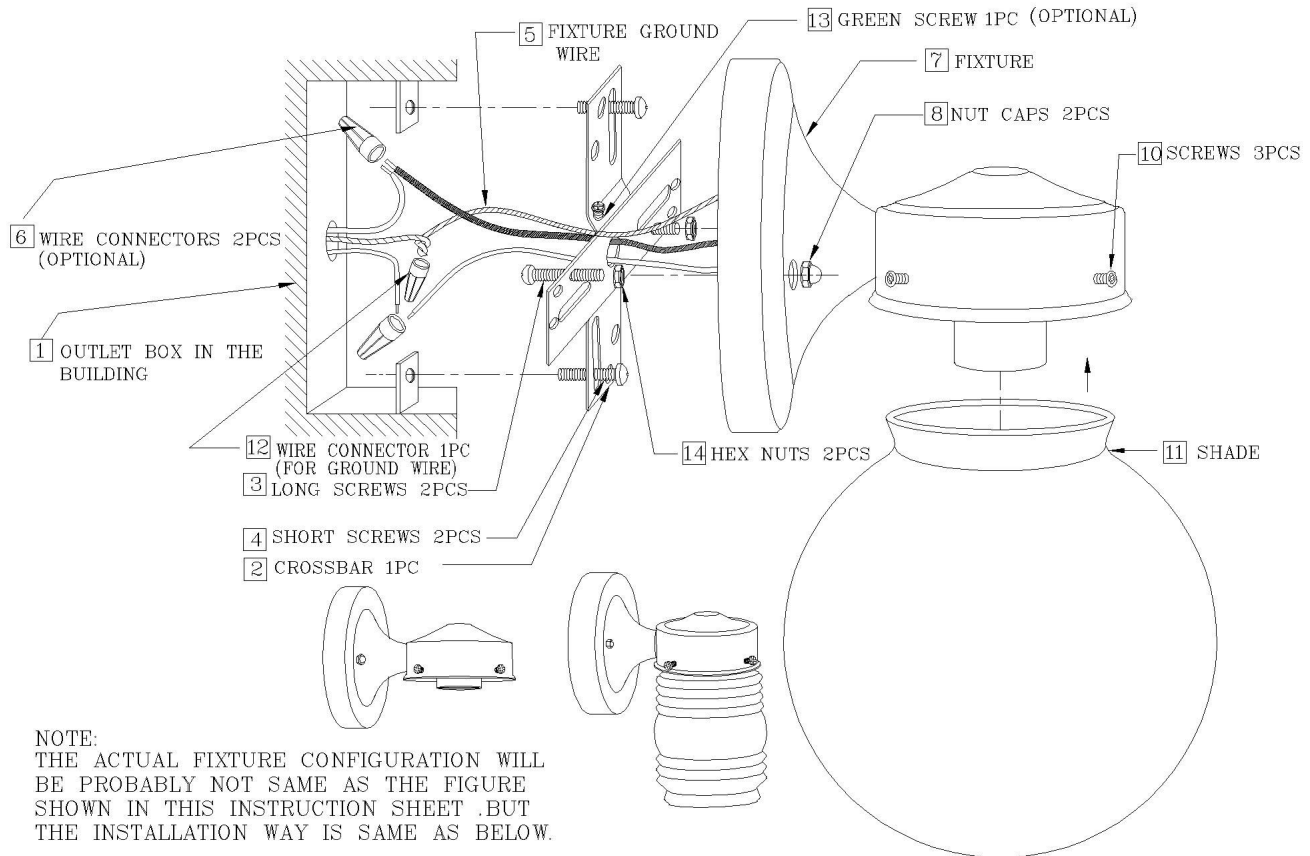


HOMEPLACE

by Capital Lighting Fixture Co.

LIGHTING

FIGURE



NOTE:
THE ACTUAL FIXTURE CONFIGURATION WILL
BE PROBABLY NOT SAME AS THE FIGURE
SHOWN IN THIS INSTRUCTION SHEET .BUT
THE INSTALLATION WAY IS SAME AS BELOW.

(3) INSTALLING WAY

1 OUTLET BOX IN THE BUILDING

2 CROSSBAR 1PC

3 LONG SCREWS 2PCS: PLACE THE SUPPLIED 3 LONG SCREWS THROUGH THE HOLES IN THE 2 CROSSBAR, ADJUST TO THE DESIRED LENGTH AND SECURE TIGHTLY WITH 14 HEX NUTS. THIS WILL PREVENT THE 3 LONG SCREWS FROM ROTATING WHEN 8 NUT CAPS ARE ATTACHED.

4 SHORT SCREWS 2PCS: FASTEN 2 CROSSBAR TO 1 OUTLET BOX WITH 4 SHORT SCREWS.

5 FIXTURE GROUND WIRE: TWIST 5 FIXTURE GROUND WIRE AND GROUND WIRE FROM OUTLET BOX, FIX THEM WITH 12 WIRE CONNECTOR (PROVIDED).

6 WIRE CONNECTORS 2PCS(OPTIONAL): CONNECT FIXTURE WIRE WITH SUPPLY WIRE TOGETHER.

7 FIXTURE

8 NUT CAPS 2PCS: MAKE 3 LONG SCREWS THROUGH TWO HOLES OF 7 FIXTURE AND SECURE 7 FIXTURE AGAINST THE WALL, THEN FASTEN 7 FIXTURE ON THE WALL WITH 8 NUT CAPS

9 TURN ON ELECTRICITY AFTER ASSEMBLING THE BULBS TO TEST IF THE ELECTRICITY CAN WORK NORMALLY.(MAKE SURE THE BULBS CAN WORK)

10 SCREWS 3PCS:

11 SHADE : PUT THE NECK OF 11 SHADE TO COVER THE SOCKET ON 7 FIXTURE TIGHTEN 10 SCREWS TO SECURE 11 SHADE.TAKE CARE WHEN ASSEMBLING OR DISASSEMBLING 11 SHADE TO AVOID BREAKAGE OF 11 SHADE.

ITEM NO. : 9946, F9946